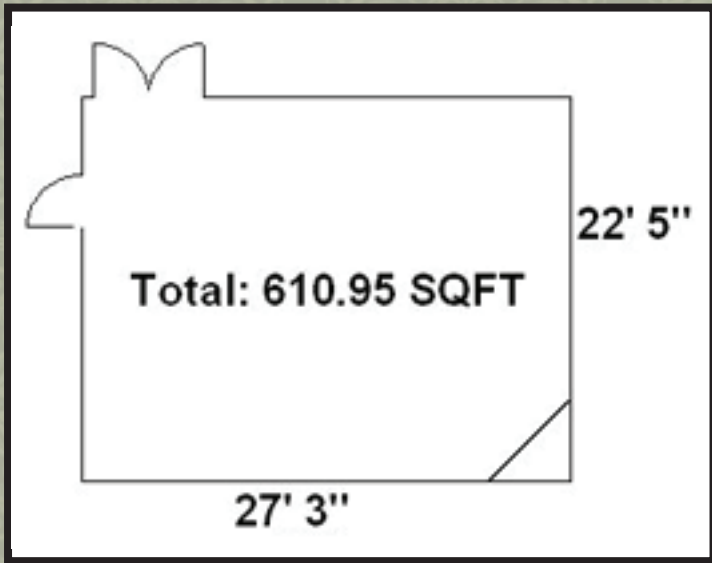




THE HEADLINERS CLUB

THE GREEN ROOM



Located on the 21st Floor of the Chase Tower, the Green Room provides guests a North and West Austin view overlooking the Texas State Capitol and the University of Texas Campus. Sometimes referred to as the "Library", the Green Room showcases the Headliners' extensive book collection.

Capacities and Possible Room Set-ups for the Green Room

- 6-8 on 60" round table
- 8-10 on 72" round table
- 11-12 on 96" round table
- 10-18 using rectangular table
- 12-24 using multiple round tables
- 30-50 for cocktail reception

The above table arrangements are only some of the possibilities and are dependent upon individual set up requests and requirements. Please consult the Catering Department for further information and assistance.